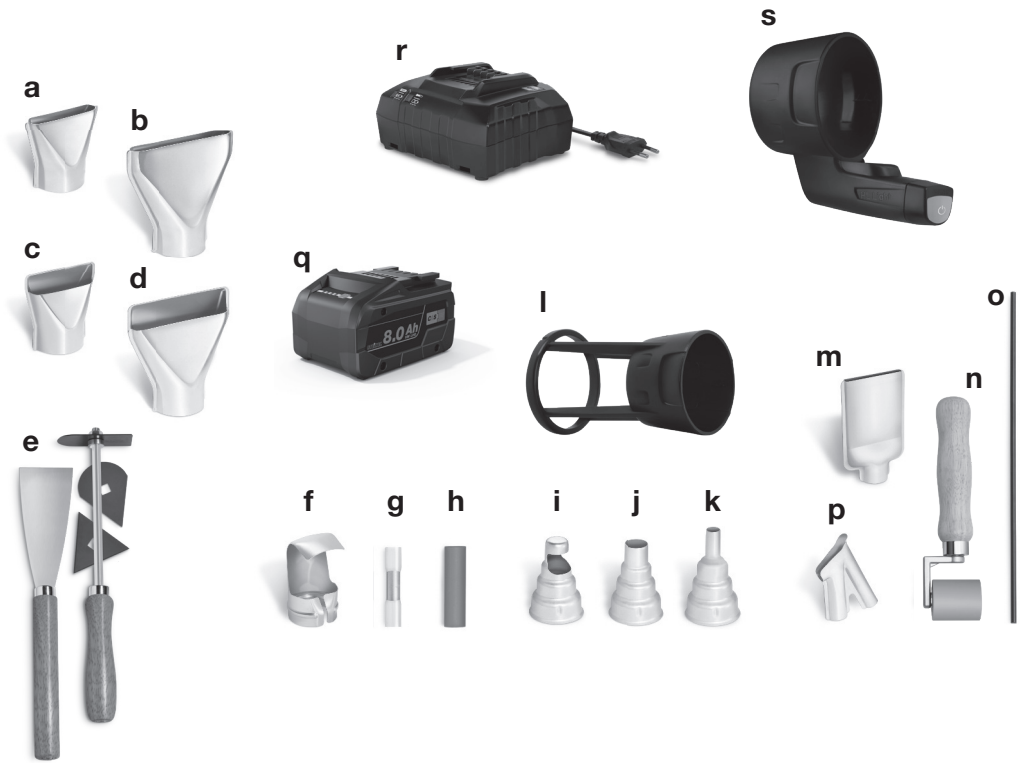
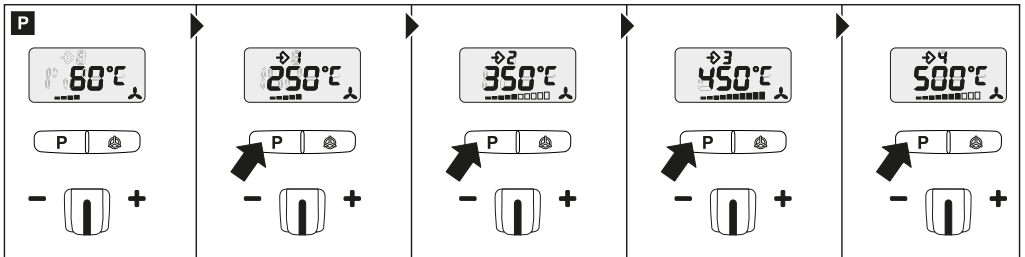
		mobile heat MH3	mobile heat MH5
U	V	18	18
T	°C	300 / 500	50 – 500
t	sec.	5	4
Q	l/min	max. 200	max. 300
L _{pA}	dB (A)	< = 70	< = 70
a _h	m/s ²	< 2,5	< 2,5
m	g	500	600



Programmierbetrieb / program mode (nur MH5 / only MH5)



Speicherfunktion / memory function (nur MH5 / only MH5)

